

New Product Release

SHOWER DOOR LATCHES

Perko's new shower door latch sets add a touch of elegance to any marine décor

Features & Benefits

Features:

- Internal ball spring indexing mechanism keeps the knob from "free-spinning"
- Positive zero degree closure

Benefits:

- Provides closure by latching door in glass-to-wall or glass-to-glass installations
- Centers the door in out-of-alignment situations
- Operational from both sides of the door

Technical Specifications

Material & Finish:

- Chrome plated brass and zinc-alloy components

Technical and Dimensions:

- Glass thickness range: 5/16" to 1/2" (8 to 12 mm)
- Hole diameter required: 7/8" (22 mm)
- 135° and 180° cam bar options

Fig. 0740

- Round knobs with grip detents

Fig. 0743

- Tapered body cylinder with "L" shaped straight handles

Fig. 0744

- Round body cylinder with "L" shaped tapered handles

Fig. 0740 #3 Shown
180° Cam Bar & J Hook Option



Fig. 0744 #3 Shown
180° Cam Bar & J Hook Option

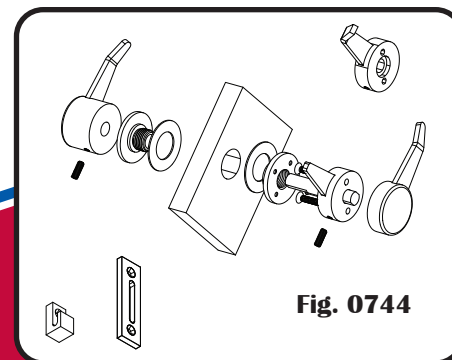
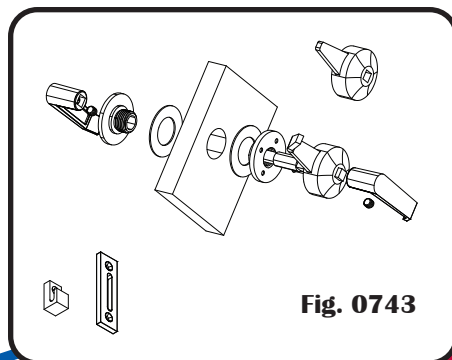
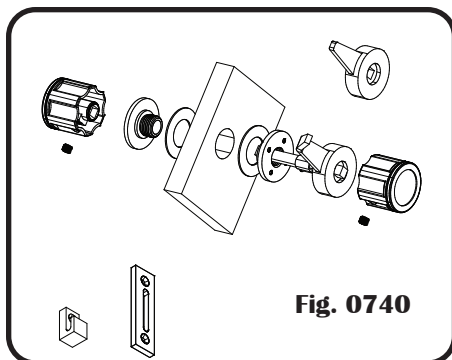


Fig. 0743 #1 Shown
180° Cam Bar & J Hook Option



"J" Hook Strike

Slotted Strike



16490 N.W. 13th Avenue • Miami, FL 33169-5707
www.perko.com



Manufacturer of Marine Navigation Lights, Hardware and Accessories for over 100 Years